

VERSATILE SET FOR RAW WATER BLENDING (120...1080 L/H) OR PERMEATE FLUSHING FOR ECOSOFT MO24000, MO36000 4" RO SYSTEMS

APPLICATIONS

This product is a dual purpose retrofittable assembly for MO24000 and MO36000 reverse osmosis systems.

When set up for water blending, the product allows to blend water from any stage of the water treatment process to the RO permeate.

The product can also be set up for permeate flushing of membranes in the following cases:

- insufficient supply water flow capacity for normal membrane flush
- longer membrane service life before CI is required, especially on difficult feed water analysis
- supply water treatment process can be size to a smaller flow capacity absent the peak flow demand during membrane flush

COMPONENTS:

- Solenoid valve
- 120...1080 L/h rotameter
- Piping assembly
- Mounting bracket
- Installation and use manual

KEY FEATURES:

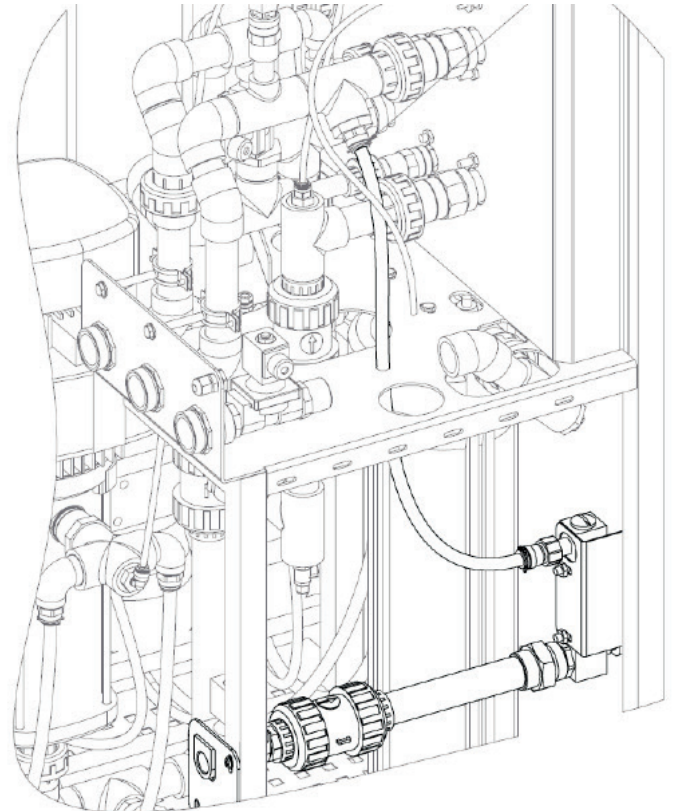
- Quick and easy installation
- Possibility of additional installation if necessary
- Detailed instructions on connecting

PHYSICAL PARAMETERS

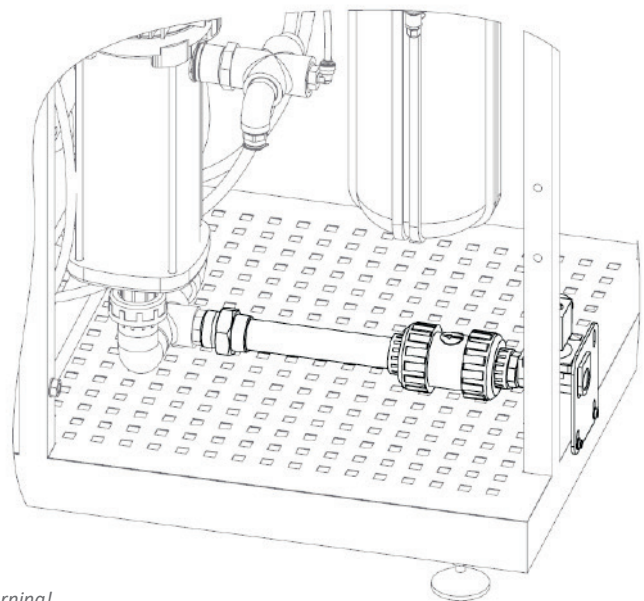
Connection port size	3/4"
Approx. weight (packaged)	2.5 kg
Dimensions (W × D × H) ¹	0.38 × 0.30 × 0.23 m

¹ Dimensions may vary ± 5%

INSTALLATION OF THE ASSEMBLY FOR WATER BLENDING



INSTALLATION OF THE ASSEMBLY FOR PERMEATE FLUSHING



Warning!
Please note that the product can only be set up for either water blending or permeate flushing, but not both!
The set is delivered as a separate product to be fitted on an RO system during installation / startup.

VERSATILE SET FOR RAW WATER BLENDING OR PERMEATE FLUSHING IN ECOSOFT MO24000, MO36000 4" RO SYSTEMS

Code	Product	Flow rate	Connection port type
PIMO2436**	Ecosoft PIMO2436	120–1080 L/h	G 3/4" female

** Not applicable for Standard series