

# PROFESSIONAL ECOSOFT MO24000 4" REVERSE OSMOSIS SYSTEM

## APPLICATIONS

Steam boilers, heating and cooling circuits, breweries and beverage production, livestock and poultry farms, glazing factories, laundry and car wash etc.

## EQUIPMENT

- Grundfos® CM 3-14 pump
- 300 psi membrane housings
- BB20 sediment prefilter
- Electrical panel with Ecosoft controller
- Danfoss solenoid valves
- Piping, instrumentation
- Steel frame
- Wooden crate

## KEY FEATURES

- Ecosoft controller OC5000
- Easy to use thanks to smart architecture
- Modularized architecture for adding permeate flushing or raw water blending assembly to the system
- Grundfos worldwide guaranty
- CE marked and confirmed to be safe in accordance with EC New Approach Directives

## OPTIONS

- Filmtec™ XLE-4040 / LCLE-4040 or Ecosoft ELP-4040 membrane
- Dosing pump for antiscalant
- Versatile set for raw water blending (120...1080 L/h) or permeate flushing

## PHYSICAL PARAMETERS

Influent water, concentrate, permeate	G 1"
Antiscalant dosing port	G ½"
Permeate flushing input port	G 1"
Raw water blending port	G ¾"
Approx. weight (bare system / crate)	110 kg      150 kg
Dimensions (bare system, W × D × H)	0.70 × 0.60 × 1.50 m
Dimensions (crate, W × D × H)	1.00 × 0.75 × 1.90 m



*Ecosoft reserves the right to amend the product's system architecture provided that its functionality and usability will not deteriorate*

## PROFESSIONAL ECOSOFT MO24000 4" REVERSE OSMOSIS SYSTEM

Code	Product	Flow rate, L/h (GPH)	Membranes**	Pieces on pallet
MO24000TP5	Ecosoft MO24000 RO System	1000–1200 (250–330)	4/40 x 40	1

\*\* Membranes are not included in the package

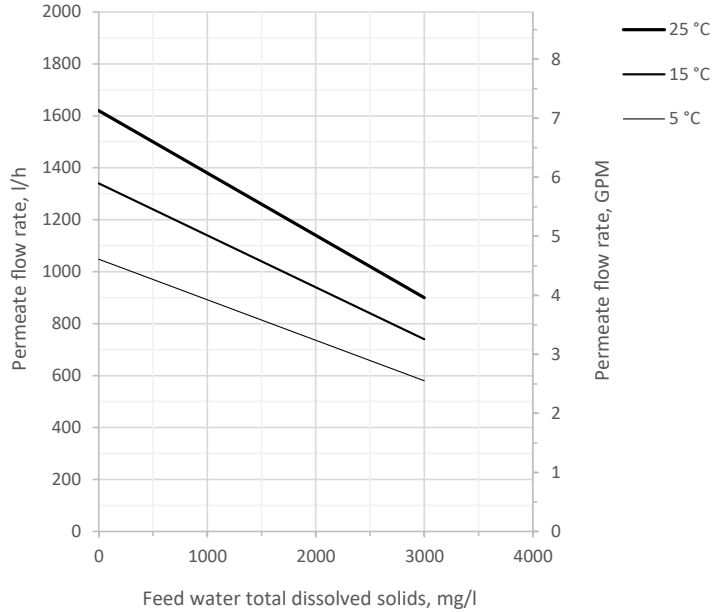
### TECHNICAL SPECIFICATION

Permeate capacity <sup>1</sup>	1000 L/h
Permeate recovery <sup>2</sup>	75%
Maximum TDS	3000 mg/L
Influent flow demand	1300...1500 L/h (service) 3000...4000 L/h (rinse)
Operating pressure	8...12 bar
Maximum pressure	14 bar
Electrical requirements	230 V, 50 Hz (1 ph)
Electrical power	2 kW
Prefilter rating	5 µm

<sup>1</sup> depends on feed water TDS, temperature, and permeate recovery — see graph on the right

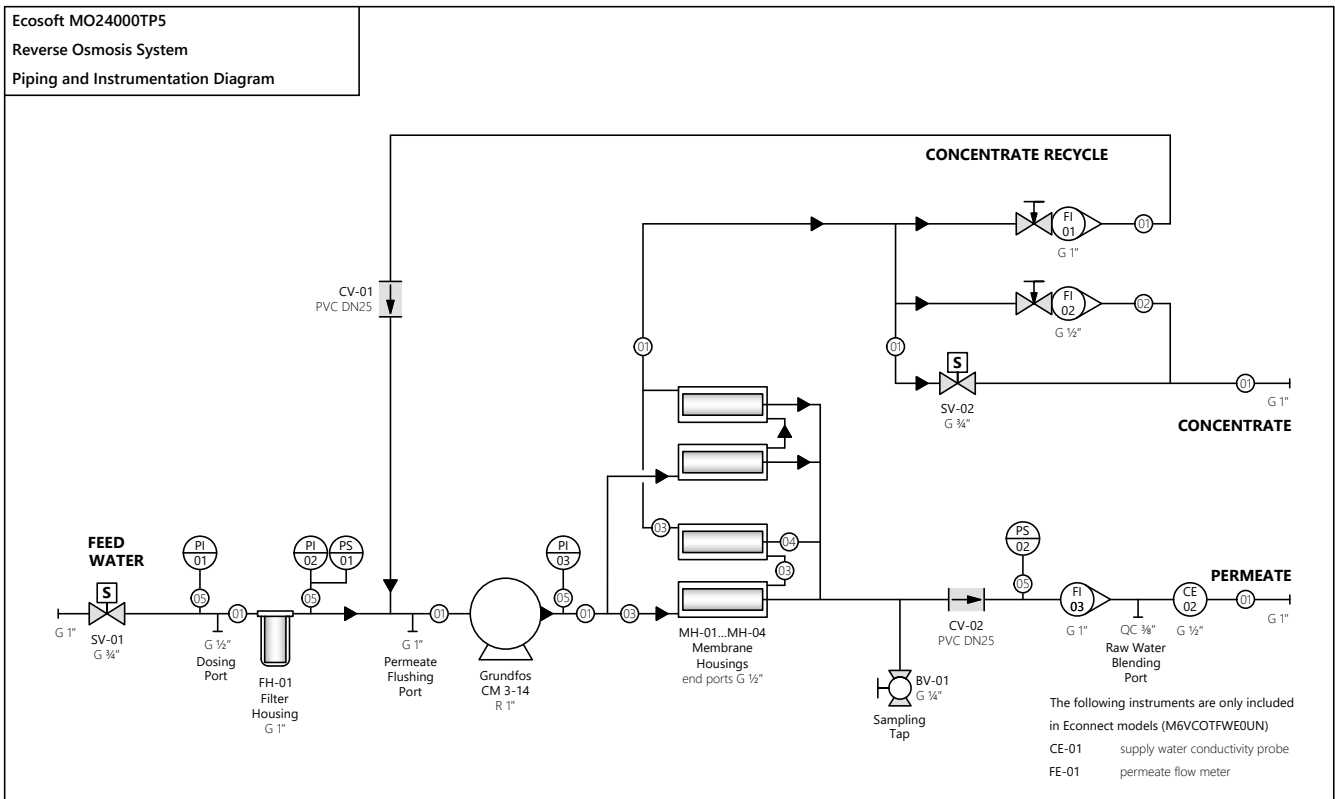
<sup>2</sup> for low scaling/fouling water

### ECOSOFT MO24000 FLOW CAPACITY (WITH XLE-4040 MEMBRANES)



Permeate flow rates are calculated under the following conditions:  
 • 2 bar influent water pressure  
 • 0 bar backpressure in the permeate line  
 • fresh membranes  
 • XLE-4040 membranes

### PIPES AND INSTRUMENTS DIAGRAM



PIPES AND CONNECTIONS	VALVES	INSTRUMENTS
<ul style="list-style-type: none"> <li>—(1)— PVC pipe 32 mm O.D.</li> <li>—(2)— PVC pipe 20 mm O.D.</li> <li>—(3)— PE hose 1/2" O.D.</li> <li>—(4)— PE hose 3/8" O.D.</li> <li>—(5)— PE hose 1/4" O.D.</li> </ul>	<ul style="list-style-type: none"> <li><b>G</b> parallel BSPT thread</li> <li><b>R</b> tapered BSPT thread</li> <li><b>PVC</b> polyvinylchloride (solvent weld)</li> <li><b>PE</b> polyethylene</li> <li><b>QC</b> quick connect collet fitting</li> </ul>	<ul style="list-style-type: none"> <li><b>(S)</b> Solenoid Valve</li> <li><b>(N)</b> Needle Valve</li> <li><b>(CV)</b> Check Valve</li> <li><b>(BV)</b> Ball Valve</li> <li><b>(PI)</b> Pressure gauge (panel mount)</li> <li><b>(PS)</b> Pressure switch (panel mount)</li> <li><b>(FI)</b> Rotameter</li> <li><b>(CE)</b> Conductivity probe (process mount)</li> <li><b>(FE)</b> Flow meter (process mount)</li> </ul>