

Ecosoft dosing pump set Grundfos DDC 6-10

APPLICATIONS:

Dosing water treatment chemicals for reverse osmosis, ultrafiltration, heating/cooling circuits, boiler feed water, process water, CIP systems, water remineralization, and other additives

KEY FEATURES:

- Simple and reliable design (solenoid pump)
- Built-in electrical protection against power surges and overvoltage
- Good chemical resistance against broad range of chemicals
- High accuracy with low flow rates
- Continuous chemical injection
- Suitable for high flow applications
- High wear resistance in demanding conditions
- High precision in a broad flow control range (logarithmic control scale)

BENEFITS:

- Accuracy and ease of setting
- Working pressure up to 10 bar
- Flow rate up to 6 L/h
- Low noise level
- Graphic display and text menu

COMPONENTS:

- Dosing pump
- Suction valve with foot filter and level probe
- Injection valve
- Pack of hoses
- Chemical tank with mounting bracket
- 500 mL graduated cylinder
- Water meter with pulse output (proportional dosing pumps only)



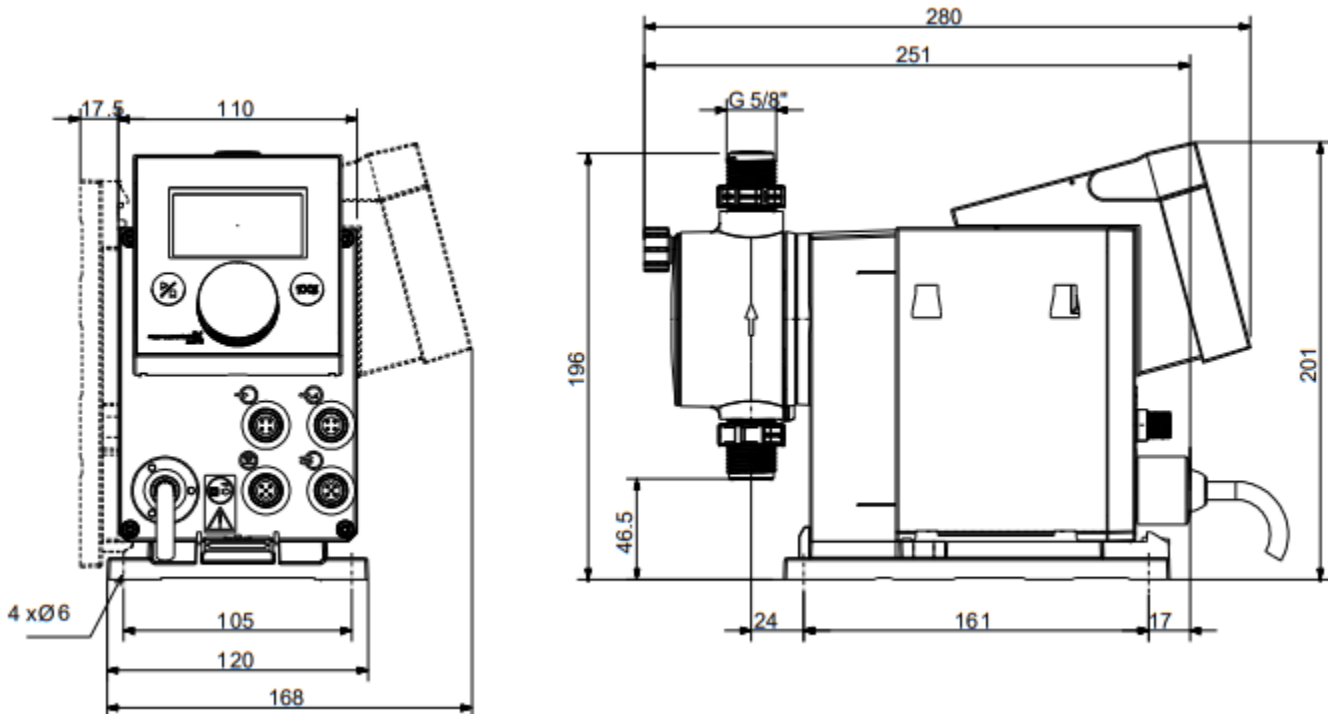
GRUNDFOSS DOSING PUMP KITS

Code	Product	Dosing pump max capacity	Pulse meter DN	Chemical tank
99135150-60BASIC	Ecosoft dosing pump set Grundfos DDC 6-10, 60 L	0.6 L/h up to 10 bar	-	60 L
99135150-60-25BASIC	Ecosoft dosing pump set Grundfos DDC 6-10, 60 L with pulse meter DN 25	0.6 L/h up to 10 bar	25	60 L
99135150-120BASIC	Ecosoft dosing pump set Grundfos DDC 6-10, 130 L	0.6 L/h up to 10 bar	-	130 L
99135150-120-40BASIC	Ecosoft dosing pump set Grundfos DDC 6-10, 130 L with pulse meter DN 40	0.6 L/h up to 10 bar	40	130 L

TECHNICAL SPECIFICATIONS OF THE DOSING PUMP

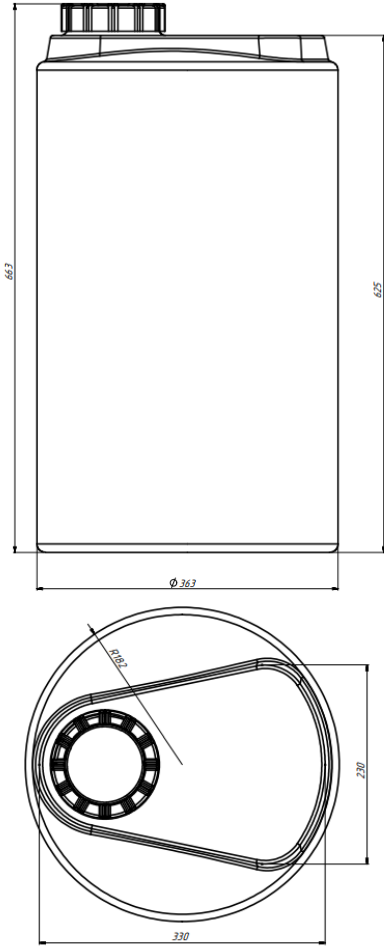
Product	99135150-60BASIC	99135150-120BASIC	99135150-60-25BASIC	99135150-120-40BASIC
Dosage mode	constant		proportional	
Maximum backpressure ($P_{max.}$), bar	10			
Capacity under $P_{max.}$, l/h	0,6			
Injection frequency, injections/min	0...150			
Noise level, dBA	74			
Electrical power, W	16			
Electrical requirements	230 V, 50 Hz			
Temperature of the dosing solutions, °C	0...+45			
The material of the components that are in contact with the substance to be dosed	EPDM			
Tank (Diameter×Height, mm)	363×663	468×827	363×663	468×827

DIMENSIONS OF DOSING PUMP

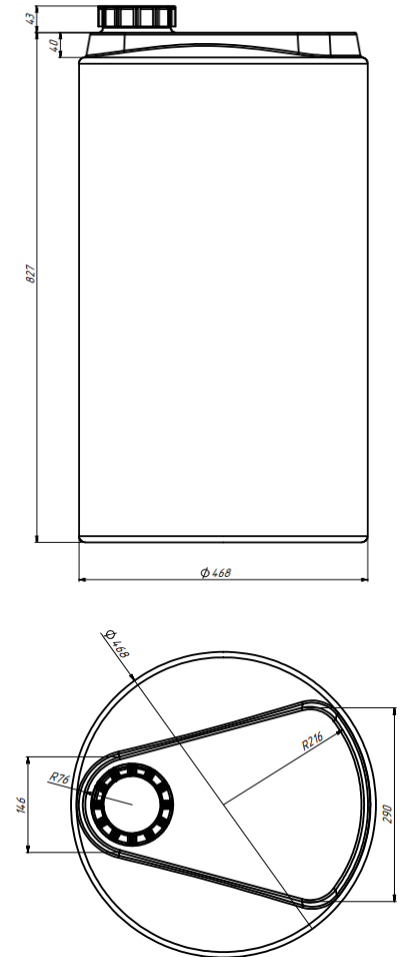


DIMENSIONS OF TANK

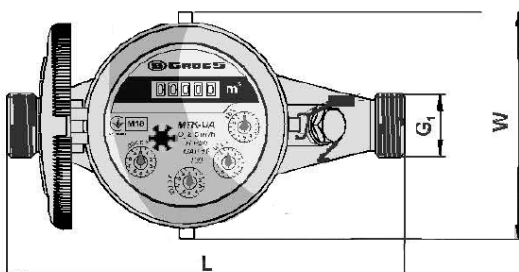
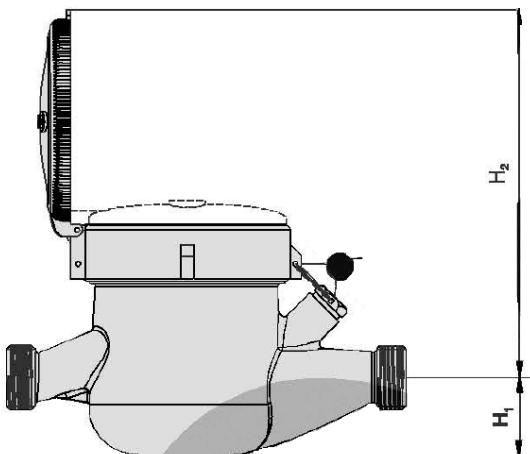
99135150-60BASIC / 99135150-60-25BASIC



99135150-120BASIC / 99135150-120-40BASIC



DIMENSIONS OF FLOW METER



Name of the characteristic	Normalized characteristic value for version and size	
	25	40
Nominal diameter	25	40
Dimensions, mm		
Length, L	260	300
Width, W	95	125
Height, H1	40	58
Height, H2	168	217
Meter connection, inch	1 1/4"	2"
Weight, kg	2,0	3,8